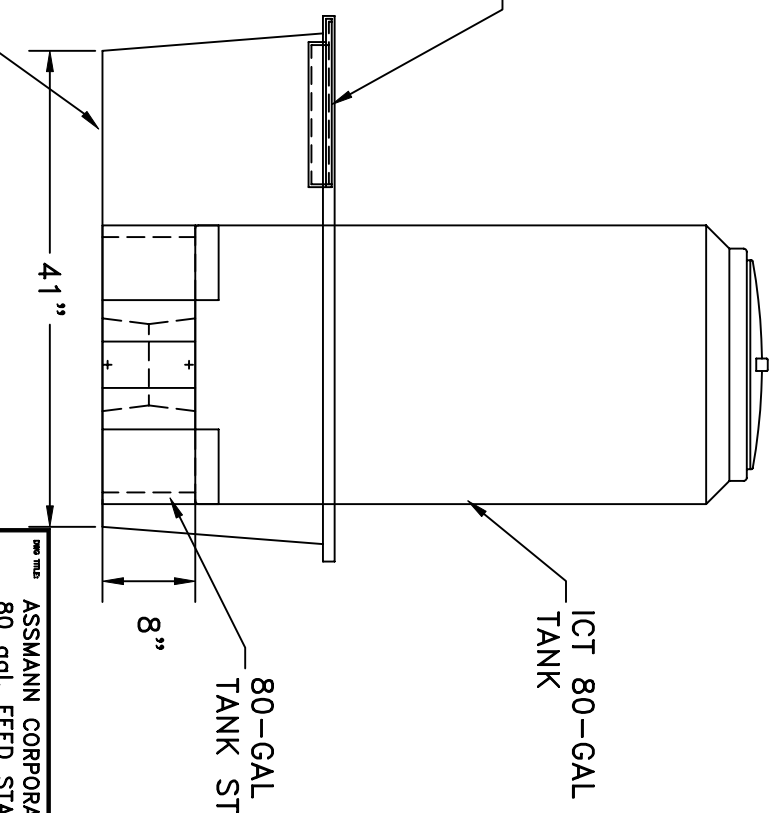
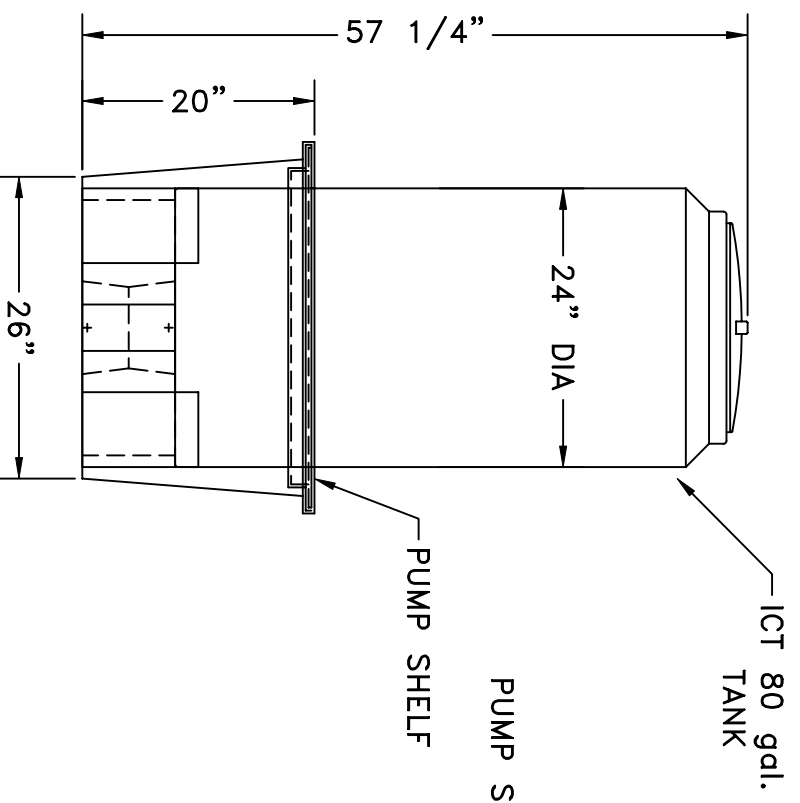


www.ChemicalContainment.com
1-800-825-7872



IRD 80
CONTAINMENT

REV	DATE	BY	DESCRIPTION
1	6/11/96	NONE	ASSMANN CORPORATION INDUSTRIAL 80 gal. FEED STATION ASSEMBLY
PART TITLE		ASSMANN CORPORATION INDUSTRIAL 80 gal. FEED STATION ASSEMBLY	
MATERIAL		NONE	
DATE		6/11/96	
DRAWN BY		D. CRAGER	
CHECKED BY		CUSTOMER APPROVAL	
PART NO.		ACFS 80	

ICT 80-GAL
TANK

80-GAL
TANK STAND

80-GAL
TANK STAND

80-GAL
TANK

IRD 80-GAL
CONTAINMENT
BASIN

PUMP SHELF

ICT 80 gal.
TANK

ICT 80 PS
PUMP SHELF

80-GAL
TANK STAND

80-GAL
TANK

IRD 80-GAL
CONTAINMENT
BASIN